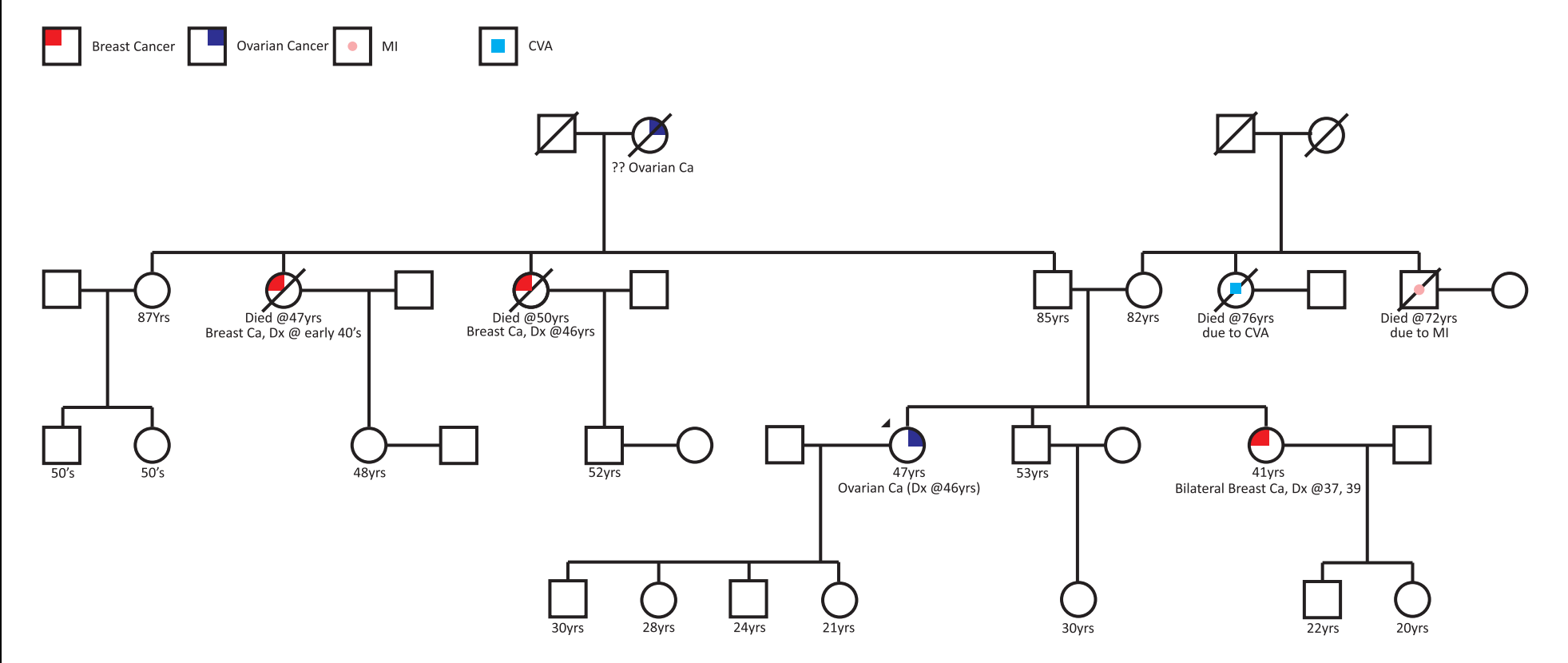


FAMILY TREE - POST GENETIC COUNSELING



RESULT + Patient was found to be **Positive** for a Heterozygous "**pathogenic**" variant detected in an essential splice donor site of intron 16- exon 16 of the BRCA1 gene.

KEY FINDINGS

Gene	Variation	Zygoty	Clinical Significance
BRCA1	chr17. C5074+1G7A	Heterozygous	Pathogenic